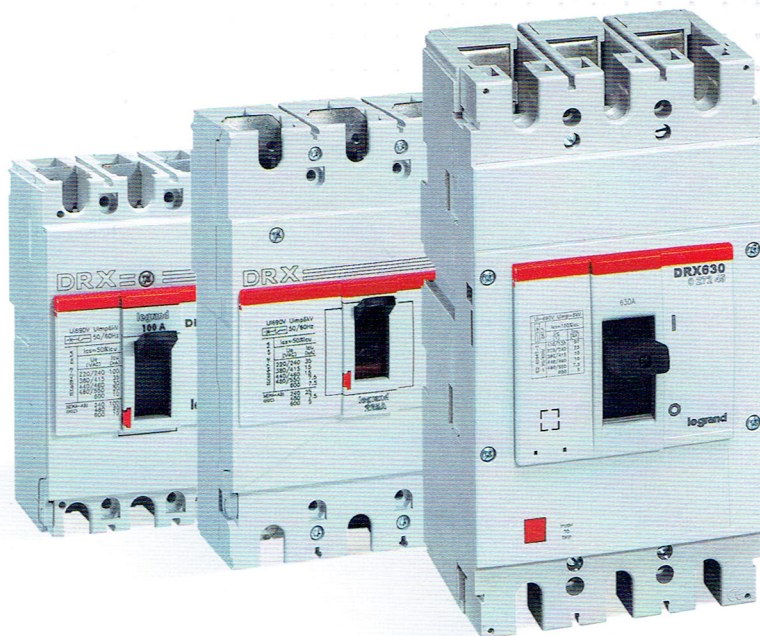




THERMAL MAGNETIC MCCBs

# DRX

NOW UP TO 630 A



CATALOGUE  
PAGES  
→ INSIDE

THE GLOBAL SPECIALIST  
IN ELECTRICAL AND DIGITAL BUILDING INFRASTRUCTURES

 **legrand**<sup>®</sup>

# DRX™ 100

thermal magnetic MCCBs from 15 to 100 A



Technical characteristics and curves p. 123 to 125

For switching, control, isolation and protection of low-voltage electrical lines  
Can be fitted with auxiliaries

Supplied with:

- M5 terminal for  $I_n \leq 50$  A and M8 range for  $I_n > 50$  A
- Fixing screws
- Insulating shields (2 for 3P and 3 for 4P)

Fixed thermal and magnetic

Conform to IEC 60947-2, in compliance with NEMA

Pack	Cat.Nos		DRX 100
			<b>Breaking capacity Icu 10 kA (415 V~)</b>
			In
1	3P 0 270 00	4P 0 270 10	15 A
1	3P 0 270 01	4P 0 270 11	20 A
1	3P 0 270 02	4P 0 270 12	25 A
1	3P 0 270 03	4P 0 270 13	30 A
1	3P 0 270 04	4P 0 270 14	40 A
1	3P 0 270 05	4P 0 270 15	50 A
1	3P 0 270 06	4P 0 270 16	60 A
1	3P 0 270 07	4P 0 270 17	75 A
1	3P 0 270 08	4P 0 270 18	100 A
			<b>Breaking capacity Icu 20 kA (415 V~)</b>
			In
1	3P 0 270 20	4P 0 270 30	15 A
1	3P 0 270 21	4P 0 270 31	20 A
1	3P 0 270 22	4P 0 270 32	25 A
1	3P 0 270 23	4P 0 270 33	30 A
1	3P 0 270 24	4P 0 270 34	40 A
1	3P 0 270 25	4P 0 270 35	50 A
1	3P 0 270 26	4P 0 270 36	60 A
1	3P 0 270 27	4P 0 270 37	75 A
1	3P 0 270 28	4P 0 270 38	100 A
			<b>Breaking capacity Icu 35 kA (415 V~)</b>
			In
1	1P 0 270 40 <sup>1</sup>	2P 0 270 50	15 A
1	1P 0 270 41 <sup>1</sup>	2P 0 270 51	20 A
1	1P 0 270 42 <sup>1</sup>	2P 0 270 52	25 A
1	1P 0 270 43 <sup>1</sup>	2P 0 270 53	30 A
1	1P 0 270 44 <sup>1</sup>	2P 0 270 54	40 A
1	1P 0 270 45 <sup>1</sup>	2P 0 270 55	50 A
1	1P 0 270 46 <sup>1</sup>	2P 0 270 56	60 A
1	1P 0 270 47 <sup>1</sup>	2P 0 270 57	75 A
1	1P 0 270 48 <sup>1</sup>	2P 0 270 58	100 A
			In
1	3P 0 270 60	4P 0 270 70	15 A
1	3P 0 270 61	4P 0 270 71	20 A
1	3P 0 270 62	4P 0 270 72	25 A
1	3P 0 270 63	4P 0 270 73	30 A
1	3P 0 270 64	4P 0 270 74	40 A
1	3P 0 270 65	4P 0 270 75	50 A
1	3P 0 270 66	4P 0 270 76	60 A
1	3P 0 270 67	4P 0 270 77	75 A
1	3P 0 270 68	4P 0 270 78	100 A

Pack	Cat.Nos	Mounting on rail
1	0 271 89	Plates for fixing DRX 100 on DIN rail
1	0 271 90	For 1P
1	0 271 91	For 2P
1	0 271 87	For 3P and 4P



Pack	Cat.Nos	Rotary handles
1	0 271 76	<b>Direct on DRX</b> Standard (grey)
1	0 271 77	<b>Vari-depth handle</b> Comprising: connecting rod, bracket, drilling template, mounting accessories, door locking mechanism Standard (grey)
		<b>Connection accessories</b>
		<b>Insulating shields</b> Used to isolate the connection between each pole
1	3P 0 271 81	Set of 2
1	4P 0 271 82	Set of 3
		<b>Sealable terminal shields</b>
1	2P 0 271 91	Set of 2
		<b>Cage terminals</b>
1	3P 0 271 83	Set of 2
1	4P 0 271 84	Set of 2
1	3P 0 271 70	Up to 50 A (inclusive)
1	4P 0 271 72	From 60 to 100 A
1	3P 0 271 71	Set of 60 pieces up to 50 A (inclusive)
1	4P 0 271 73	Set of 60 pieces from 60 to 100 A
1	0 271 92	
1	0 271 93	
1	0 271 80	<b>Padlock</b> For locking in "off" position (up to 3 locks)
		<b>Electrical accessories</b>
		<b>Auxiliary contact blocks</b> For left-hand side mounting Up to 250 V~ and =
1	0 271 40	Block with 1 auxiliary
1	0 271 41	Block with 1 alarm
1	0 271 42	Block with 1 auxiliary + 1 alarm
		<b>Shunt trips</b>
1	0 271 50	12 V~ and =
1	0 271 51	24 V~ and =
1	0 271 52	48 V~ and =
1	0 271 53	100/130 V~
1	0 271 54	200/277 V~
1	0 271 55	380/480 V~
		<b>Undervoltage releases</b>
1	0 271 60	12 V~ and =
1	0 271 61	24 V~ and =
1	0 271 62	48 V~ and =
1	0 271 68	110 V=
1	0 271 63	110/130 V~
1	0 271 64	200/240 V~
1	0 271 67	277 V~
1	0 271 65	380/415 V~
1	0 271 66	440/480 V~

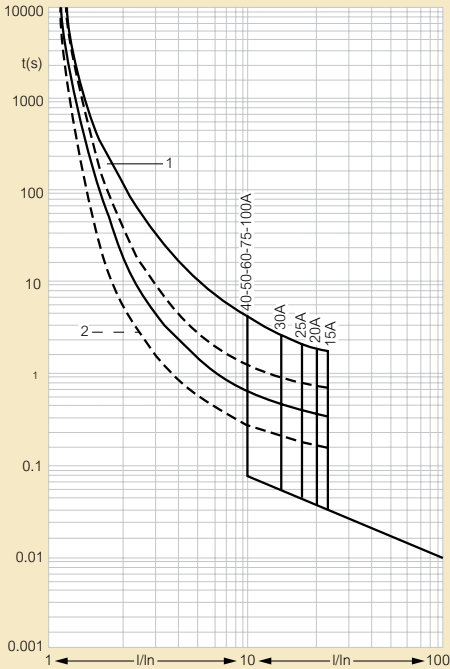
1: Icu 25 kA (240 V~) for 1P

# DRX™ 100

## technical characteristics and curves

### Curves

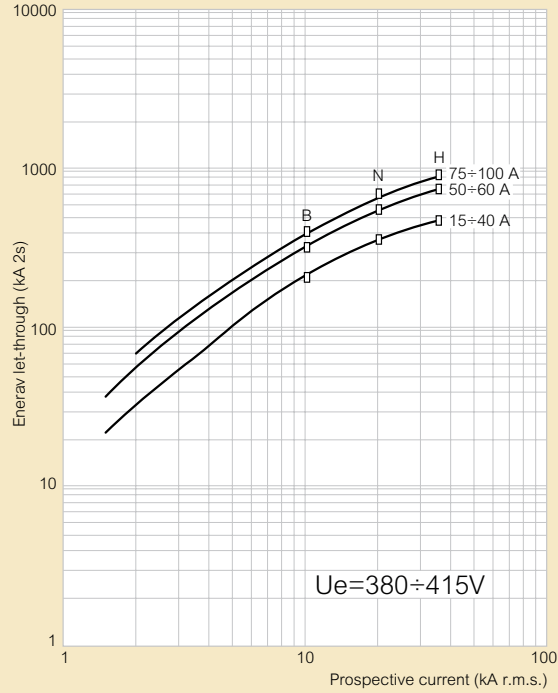
DRX 100 In max = 100 A 1P - 2P - 3P - 4P at 415 V~



t = time  
I = rated current  
I<sub>r</sub> = setting current  
1 = characteristic with cold start  
2 = characteristic with hot start

### Let through specific energy characteristics

DRX 100 In max = 100 A 1P - 2P - 3P - 4P at 415 V~

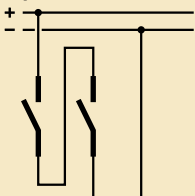


### Technical characteristics

	DRX - 10 kA	DRX - 20 kA	DRX - 25 kA <sup>(1)</sup>	DRX - 35 kA	DRX - 35 kA
Number of poles	3P - 4P	3P - 4P	1P	2P	3P - 4P
Nominal current I <sub>n</sub> (A)	15-100	15-100	15-100	15-100	15-100
Neutral protection for 4P version (%)	100	100	100	100	100
Rated insulation voltage U <sub>i</sub> (V)	690	690	690	690	690
Rated impulse withstand current U <sub>imp</sub> (kV)	6	6	6	6	6
Rated operating voltage (50/60 Hz) U <sub>e</sub> (V)	600	600	600	600	600
Ultimate breaking capacity I <sub>cu</sub> (kA) IEC 60947-2	110/130 V~	50	75	50	100
	220/240 V~	25	40	25	60
	277 V~	-	-	15	50
	380/415 V~	10	20	10	35
	440/460 V~	10	15	-	30
	480/550 V~	7,5	10	-	20
	600 V~	5	5	-	10
Ultimate breaking capacity I <sub>cu</sub> (kA) NEMA AB-1	125 V=	10 <sup>(2)</sup>	10 <sup>(2)</sup>	10	20 <sup>(2)</sup>
	250 V=	5 <sup>(2)</sup>	5 <sup>(2)</sup>	5	10 <sup>(2)</sup>
	240 V~	25	40	25	100
Standard breaking capacity I <sub>cs</sub> (% I <sub>cu</sub> )	480 V~	7,5	10	-	20
	600 V~	5	5	-	10
Category of use	A	A	A	A	A
Suitable for isolation	YES	YES	YES	YES	YES
Endurance (cycles)	mechanical	25000	25000	25000	25000
	electrical at I <sub>n</sub>	8000	8000	8000	8000
	electrical at 0.5 I <sub>n</sub>	10000	10000	10000	10000

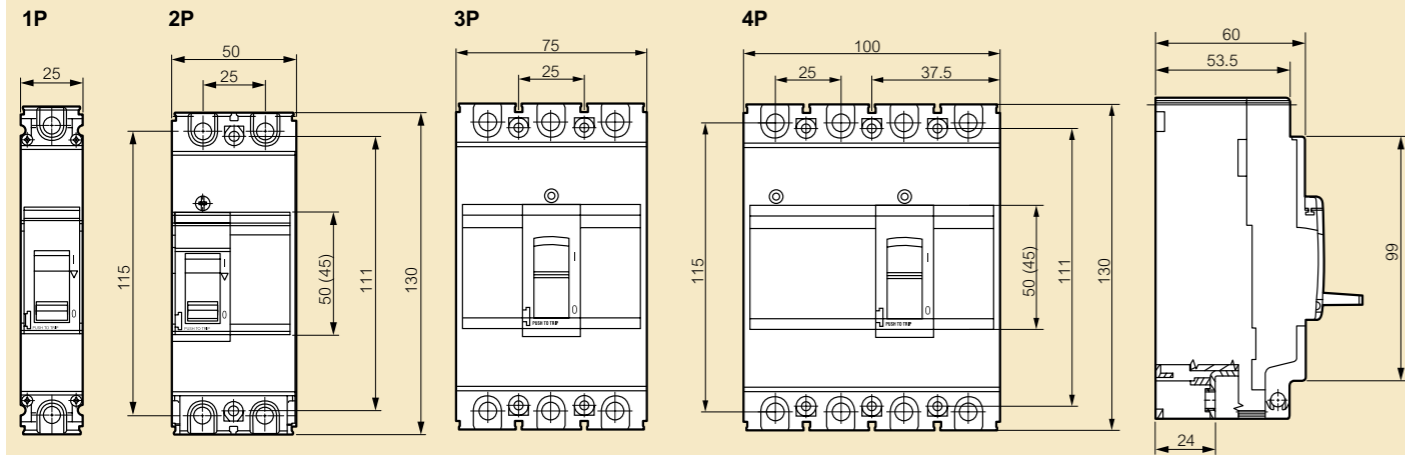
1: 1P - I<sub>cu</sub> 25 kA (220/240 V~)  
2: 2 poles in series

### 2 poles in series

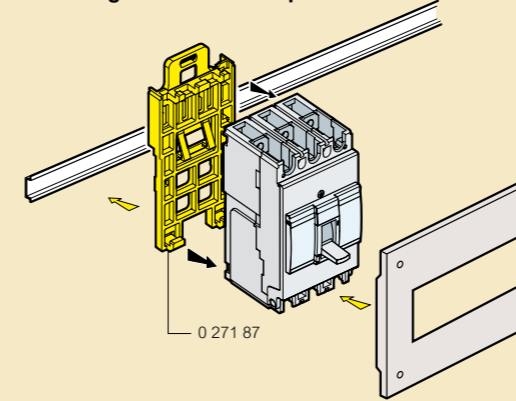


**DRX™ 100**  
dimensions, mounting principle and connection

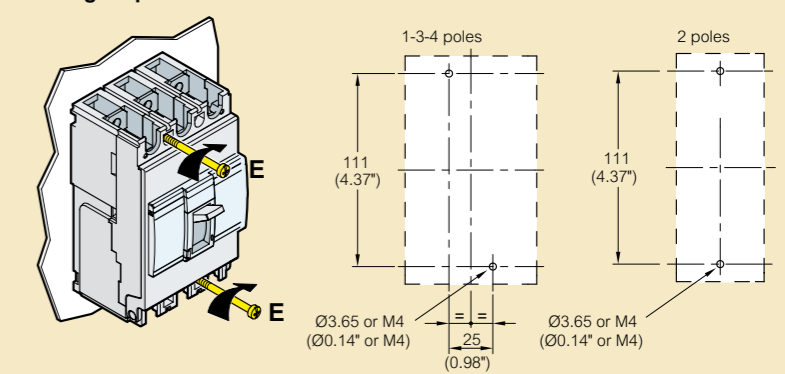
■ Dimensions



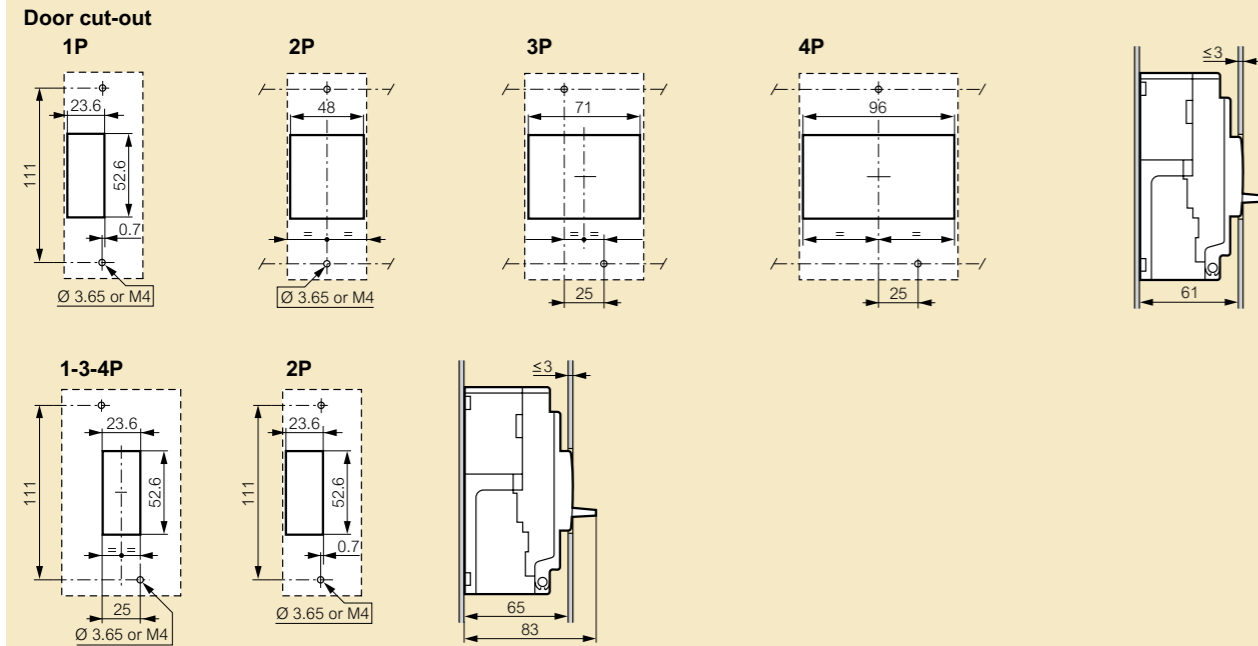
Mounting on DIN rail with plate



Fixing on plate

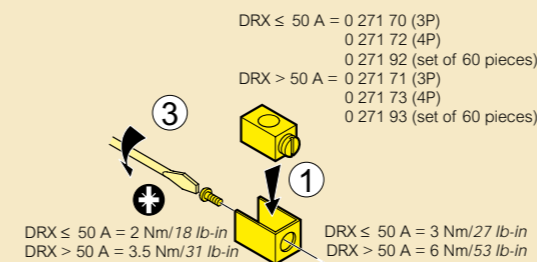


■ Mounting principle

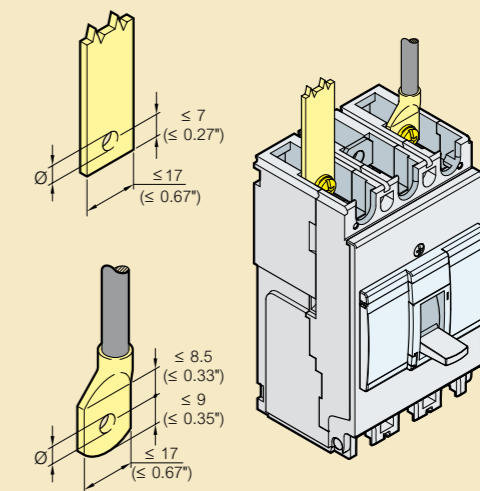


■ Connection

Connection via cable



Connection via busbar

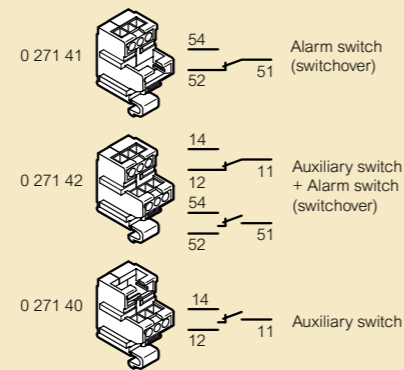


DRX ≤ 50 A		DRX > 50 A	
Flexible	2,5 → 16 mm <sup>2</sup> #14 → #6 AWG	Flexible	10 → 35 mm <sup>2</sup> #8 → #2 AWG
or	Solid	or	Solid
	2,5 → 25 mm <sup>2</sup> #14 → #4 AWG		10 → 50 mm <sup>2</sup> #8 → #1/0 AWG
2,5 to 4 mm <sup>2</sup> (#14 to #10 AWG) flexible cables connection via crimped end-barrels			

DRX ≤ 50 A	DRX > 50 A	DRX ≤ 50 A	DRX > 50 A
Ø 5.5 mm / 0.21"	Ø 8.5 mm / 0.33"	M5	M8
		2 Nm / 18 lb-in	5.5 Nm / 49 lb-in

■ Auxiliary contacts

	Voltage (V)	Resistive load (A)
Vac	125	5
	250	5
Vdc	30	5
	50	1
	75	0.75
	125	0.5
250	0.25	
<b>Mechanical endurance (No. of operations)</b>		5 x 10 <sup>6</sup>
<b>Temperature (°C)</b>		- 40 to 85 °C



# DRX™ 250

thermal magnetic MCCBs from 125 to 250 A



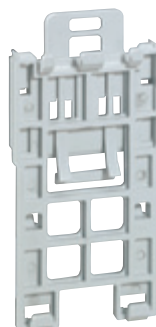
0 271 06



0 271 04



0 271 12 (captive cover)



0 271 88



0 271 74



0 271 80

Technical characteristics and curves p. 127 to 129

For switching, control, isolation and protection of low-voltage electrical lines  
 Can be fitted with auxiliaries  
 Supplied with:  
 - M8 terminals  
 - Fixing screws  
 - Insulating shields (2 for 3P and 3 for 4P)  
 Fixed thermal and magnetic  
 Conform to IEC 60947-2

Pack	Cat.Nos		DRX 250
	3P	4P	<b>Breaking capacity Icu 18 kA (415 V~)</b>
1	0 271 00	0 271 06	In 125 A
1	0 271 01	0 271 07	150 A
1	0 271 02	0 271 08	175 A
1	0 271 03	0 271 09	200 A
1	0 271 04	0 271 10	225 A
1	0 271 05	0 271 11	250 A
			<b>Breaking capacity Icu 25 kA (415 V~)</b>
1	0 271 12	0 271 18	In 125 A
1	0 271 13	0 271 19	150 A
1	0 271 14	0 271 20	175 A
1	0 271 15	0 271 21	200 A
1	0 271 16	0 271 22	225 A
1	0 271 17	0 271 23	250 A
			<b>Breaking capacity Icu 36 kA (415 V~)</b>
1	0 271 24	0 271 30	In 125 A
1	0 271 25	0 271 31	150 A
1	0 271 26	0 271 32	175 A
1	0 271 27	0 271 33	200 A
1	0 271 28	0 271 34	225 A
1	0 271 29	0 271 35	250 A

1	0 271 88	<b>Mounting on rail</b>	
		Plate for fixing DRX 250 on DIN rail	

1	0 271 78	<b>Rotary handles</b>	
		<b>Direct on DRX</b>	
		Standard (grey)	
		<b>Vari-depth handle</b>	
		Comprising: connecting rod, bracket, drilling template, mounting accessories, door locking mechanism	
1	0 271 79	Standard (grey)	

Pack	Cat.Nos		Connection accessories
	3P	4P	<b>Insulating shields</b>
1	0 271 81	0 271 82	Used to isolate the connection between each pole
1			Set of 2
			Set of 3
1	0 271 85	0 271 86	<b>Sealable terminal shields</b>
			Set of 2
1	0 271 74	0 271 75	<b>Cage terminals</b>
1	0 271 94		Up to 250 A
			Set of 60 pieces
1	0 271 80		<b>Padlock</b>
			For locking in "off" position (up to 3 locks)

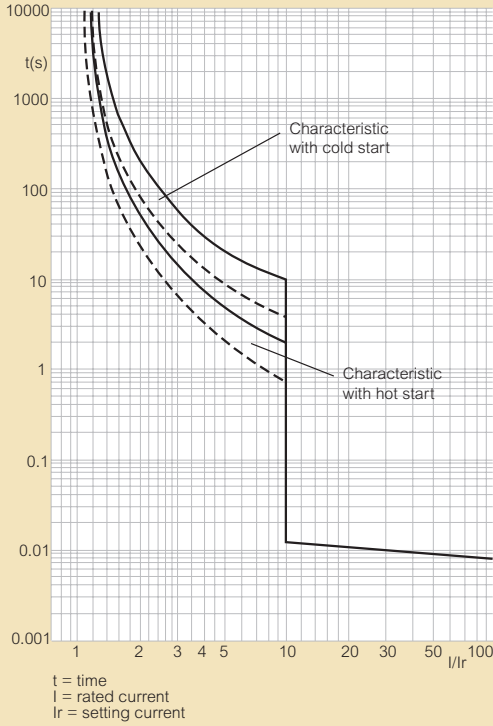
Pack	Cat.Nos		Electrical accessories
			<b>Auxiliary contact blocks</b>
			For left-hand side mounting
			Up to 250 V~ and =
1	0 271 40		Block with 1 auxiliary
1	0 271 41		Block with 1 alarm
1	0 271 42		Block with 1 auxiliary + 1 alarm
			<b>Shunt trips</b>
1	0 271 50		12 V~ and =
1	0 271 51		24 V~ and =
1	0 271 52		48 V~ and =
1	0 271 53		100/130 V~
1	0 271 54		200/277 V~
1	0 271 55		380/480 V~
			<b>Undervoltage releases</b>
1	0 271 60		12 V~ and =
1	0 271 61		24 V~ and =
1	0 271 62		48 V~ and =
1	0 271 68		110 V=
1	0 271 63		110/130 V~
1	0 271 64		200/240 V~
1	0 271 67		277 V~
1	0 271 65		380/415 V~
1	0 271 66		440/480 V~

# DRX™ 250

## technical characteristics and curves

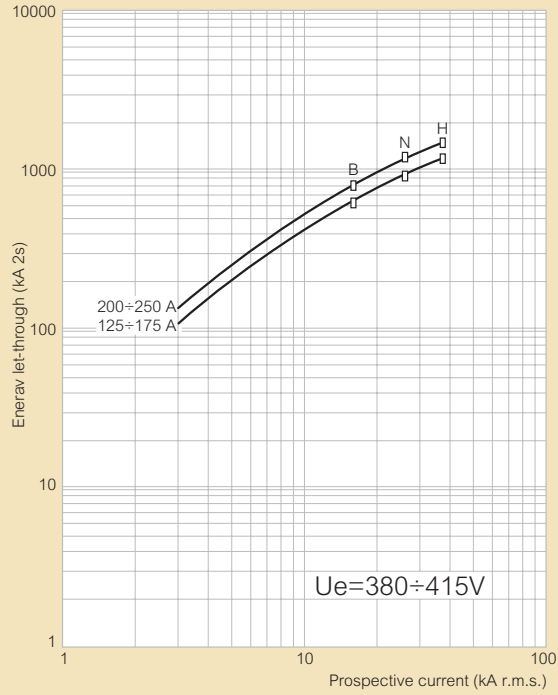
### Curves

DRX 250 I<sub>max</sub> = 250 A 3P - 4P



### Let through specific energy characteristics

DRX 250 I<sub>max</sub> = 250 A 3P - 4P at 415 V<sub>~</sub>

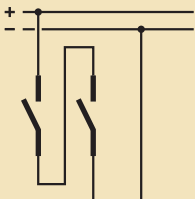


### Technical characteristics

	DRX - 18 kA	DRX - 25 kA	DRX - 36 kA	
Number of poles	3P - 4P	3P - 4P	3P - 4P	
Nominal current I <sub>n</sub> (A)	125-250	125-250	125-250	
Neutral protection for 4P version (%)	100	100	100	
Rated insulation voltage U <sub>i</sub> (V)	690	690	690	
Rated impulse withstand current U <sub>imp</sub> (kV)	6	6	6	
Rated operating voltage (50/60 Hz) U <sub>e</sub> (V)	600	600	600	
Ultimate breaking capacity I <sub>cu</sub> (kA) IEC 60947-2	110/130 V <sub>~</sub>	35	60	
	220/240 V <sub>~</sub>	35	50	
	380/415 V <sub>~</sub>	18	25	
	440/460 V <sub>~</sub>	15	25	
	480/550 V <sub>~</sub>	10	15	
Ultimate breaking capacity I <sub>cu</sub> (kA) NEMA AB-1	600 V <sub>~</sub>	7,5	10	
	125 V <sub>=</sub>	10 <sup>(1)</sup>	20 <sup>(1)</sup>	
	250 V <sub>=</sub>	5 <sup>(1)</sup>	10 <sup>(1)</sup>	
Standard breaking capacity I <sub>cs</sub> (% I <sub>cu</sub> )	240 V <sub>~</sub>	35	50	
	480 V <sub>~</sub>	10	15	
Category of use	A	A	A	
Suitable for isolation	YES	YES	YES	
	mechanical	25000	25000	25000
Endurance (cycles)	electrical at I <sub>n</sub>	8000	8000	8000
	electrical at 0.5 I <sub>n</sub>	10000	10000	10000

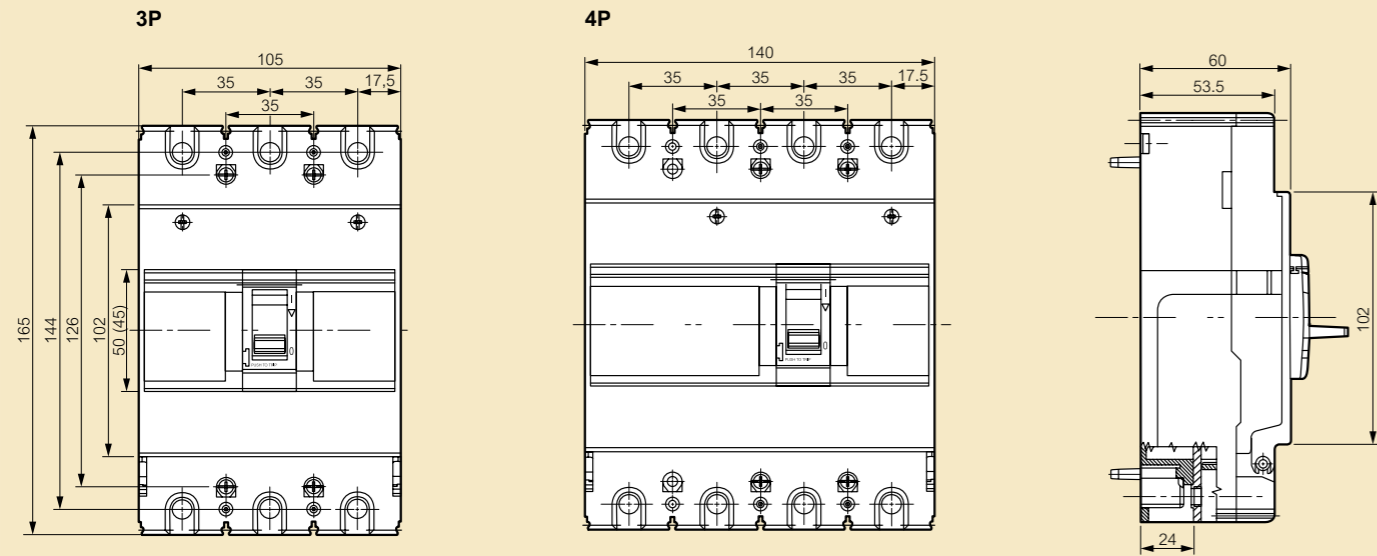
1: 2 poles in series

### 2 poles in series



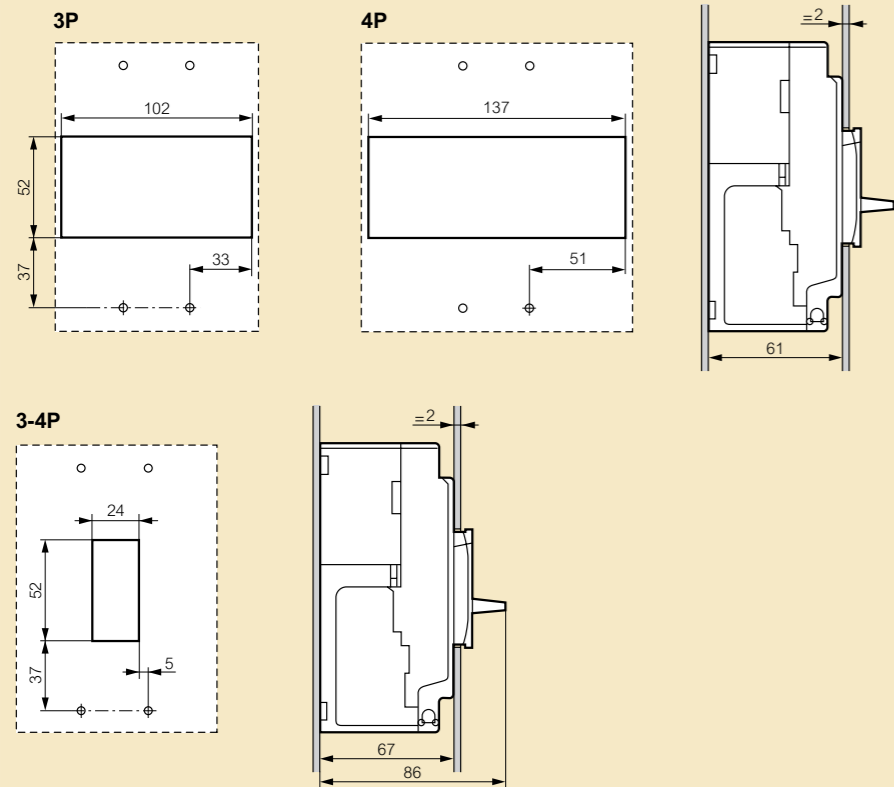
**DRX™ 250**  
dimensions, mounting principle and connection

■ Dimensions

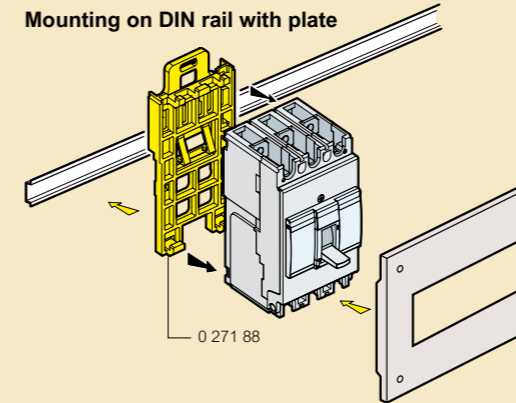


■ Mounting principle

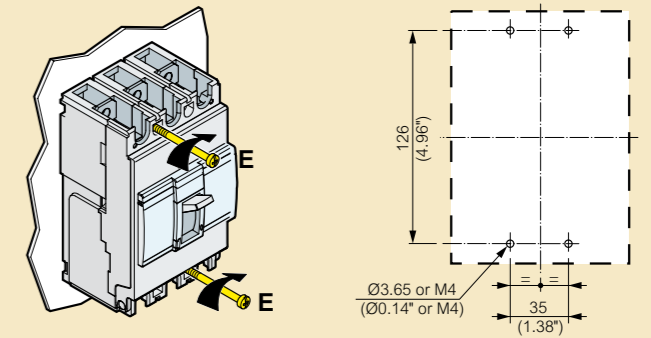
Door cut-out



Mounting on DIN rail with plate

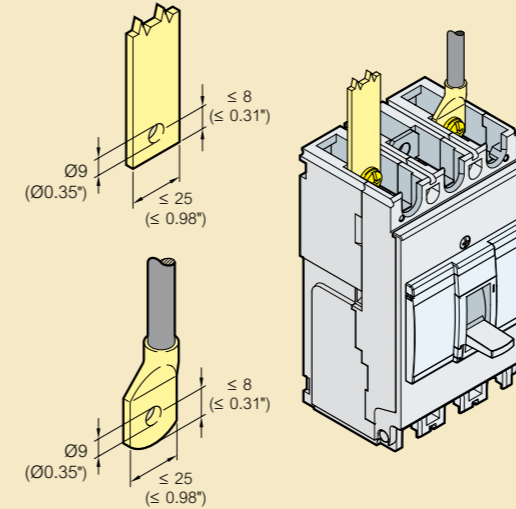


Fixing on plate

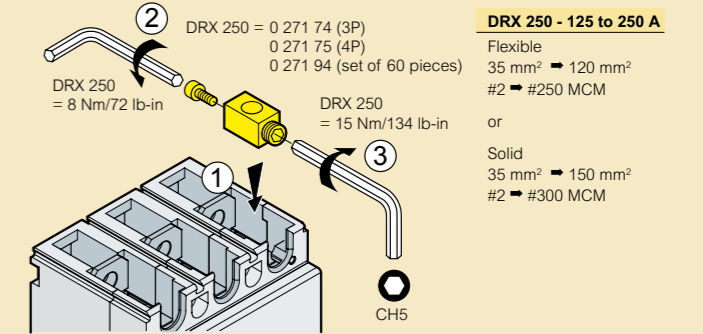


■ Connection

Connection via busbar

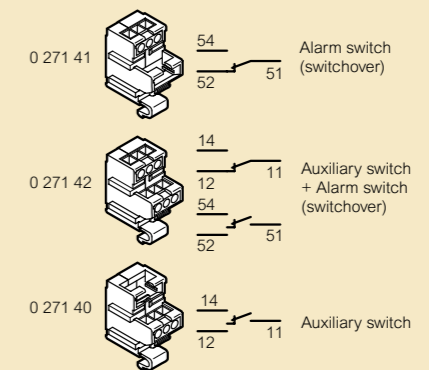


Connection via cable



■ Auxiliary contacts

	Voltage (V)	Resistive load (A)
Vac	125	5
	250	5
Vdc	30	5
	50	1
	75	0.75
	125	0.5
	250	0.25
Mechanical endurance (No. of operations)		5 x 10 <sup>6</sup>
Temperature (°C)		-40 to 85 °C





FOLLOW US  
ALSO ON

@ [www.legrand.com](http://www.legrand.com)

 [www.youtube.com/legrand](http://www.youtube.com/legrand)

 [twitter.com/legrand](http://twitter.com/legrand)

# PT. Intraco Indonesia

Ruko Mahkota Ancol Blok C/50  
Jl. R. E. Martadinata  
Kel. Pademangan Barat, Kec. Pademangan  
Jakarta Utara 14420 INDONESIA

Telp. : +62 21 64717528  
: +62 21 64717529  
Fax. : +62 21 64717530  
E-mail : [info@intracoindonesia.co.id](mailto:info@intracoindonesia.co.id)



**World Headquarters**  
and International Department  
87045 Limoges Cedex - France  
Tel. : + 33 (0) 5 55 06 87 87  
Fax: + 33 (0) 5 55 06 74 55

Authorized Distributor Of  **legrand** : PT. Intraco Indonesia